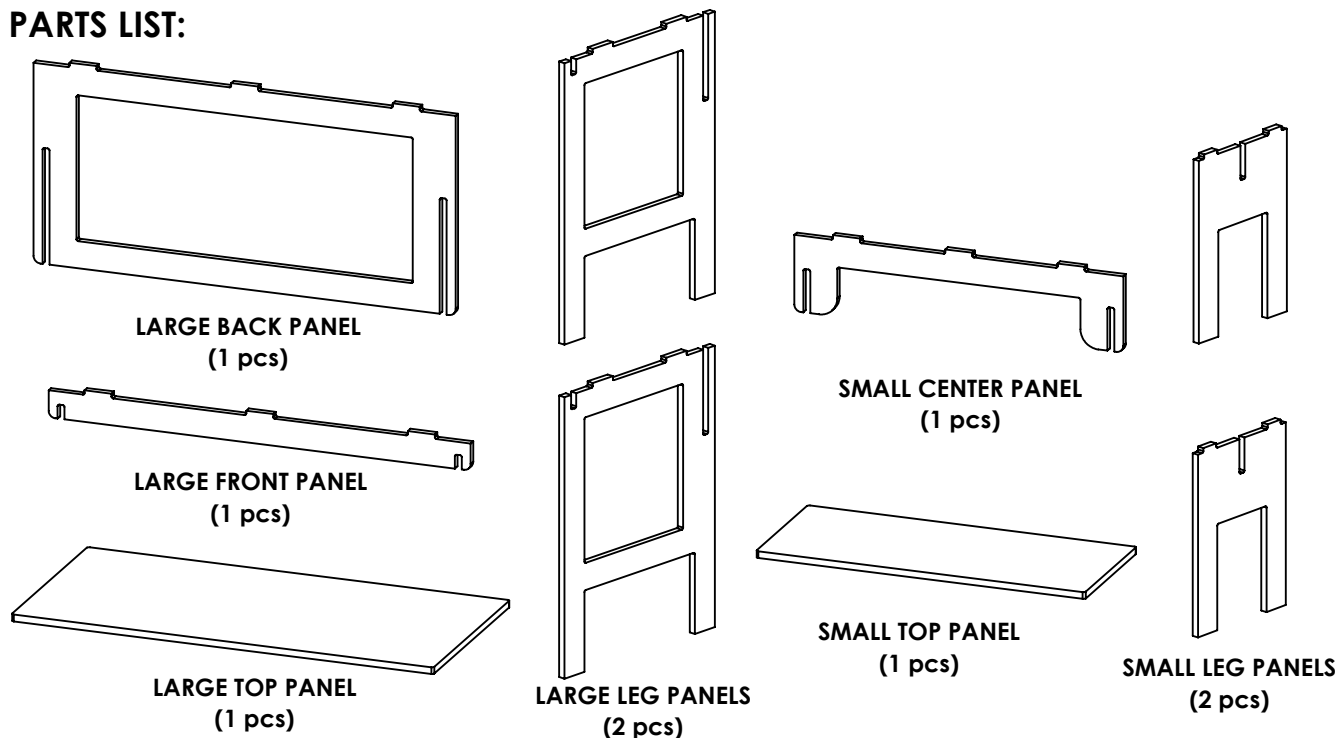


ASSEMBLY INSTRUCTIONS

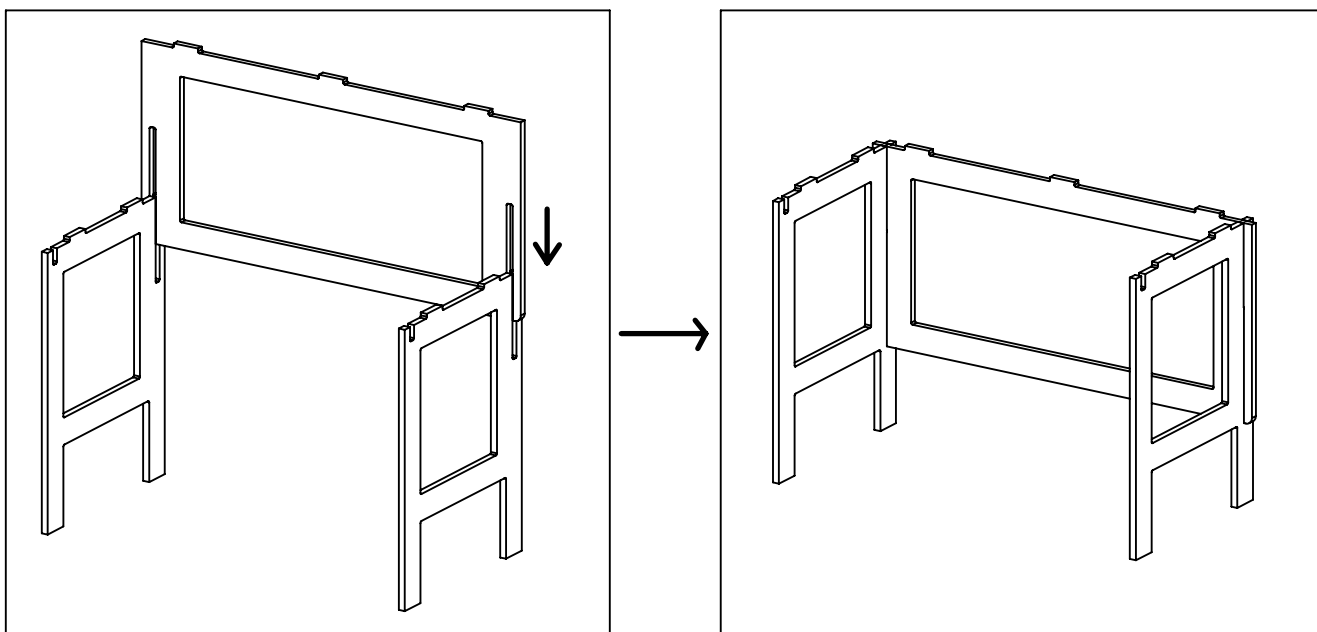
READ ALL INSTRUCTIONS BEFORE YOU BEGIN. DO NOT JUMP AHEAD OF ANY STEP.

PARTS LIST:



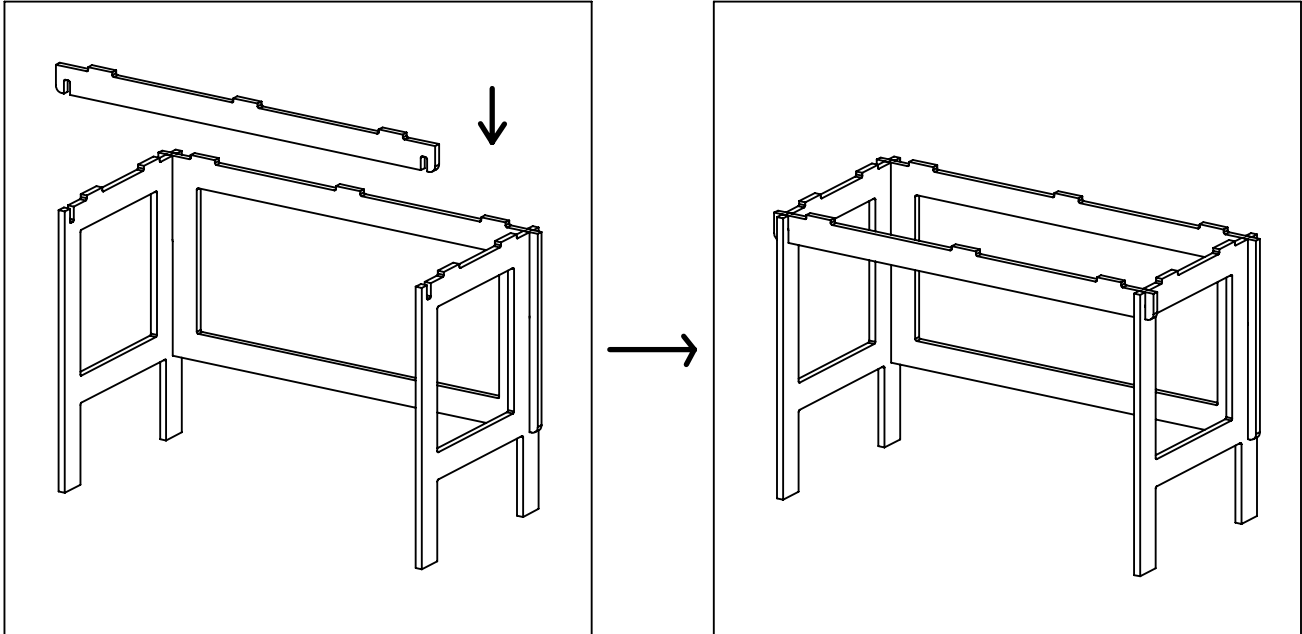
***RECOMMENDED : 2 PERSON ASSEMBLY**

STEP 1: On an even flat surface stand the Large Leg Panels upright as shown below. While holding the Large Leg Panels upright, simultaneously slide the slots on the Large Back Panel into the slots in the Large Leg Panels. Slide the Large Back Panel down until the panels are fully engaged.

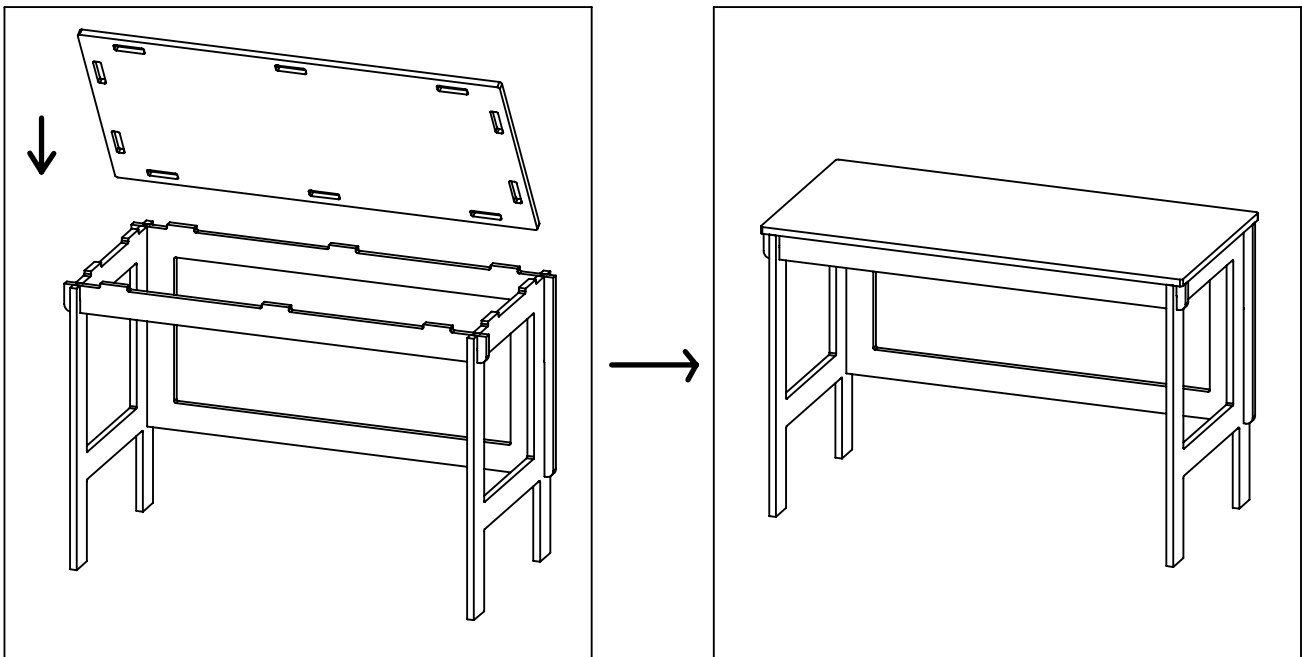


ASSEMBLY INSTRUCTIONS**READ ALL INSTRUCTIONS BEFORE YOU BEGIN. DO NOT JUMP AHEAD OF ANY STEP.**

STEP 2: While holding the Large Leg Panels upright, simultaneously slide the slots on the Large Front Panel into the slots in the Large Leg Panels. Slide the Large Front Panel down until the panels are fully engaged.

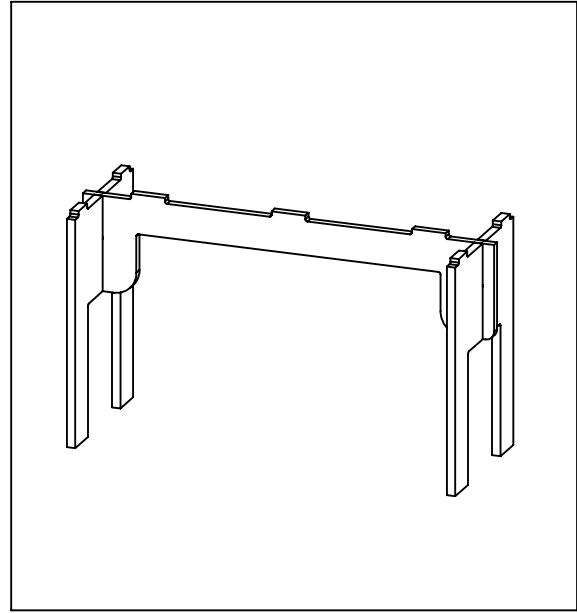
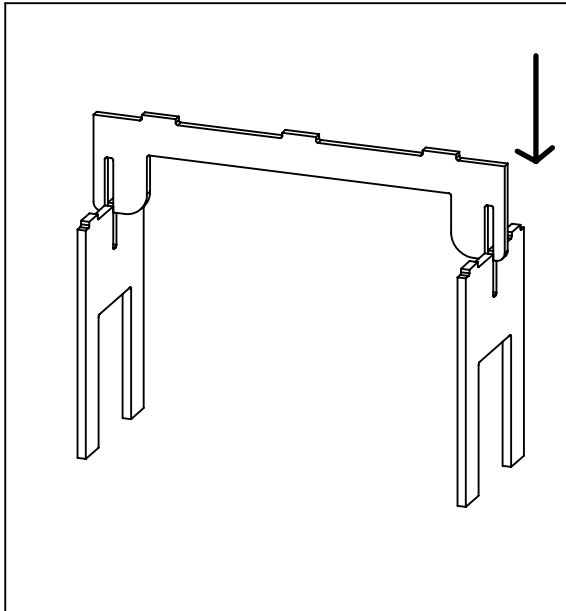


STEP 3: Align the bottom slots on the Large Top Panel with the top tabs on the Large Front Panel, Large Back Panel & Large Leg Panels. Place the Large Top Panel on top of the assembled unit until it fits securely.

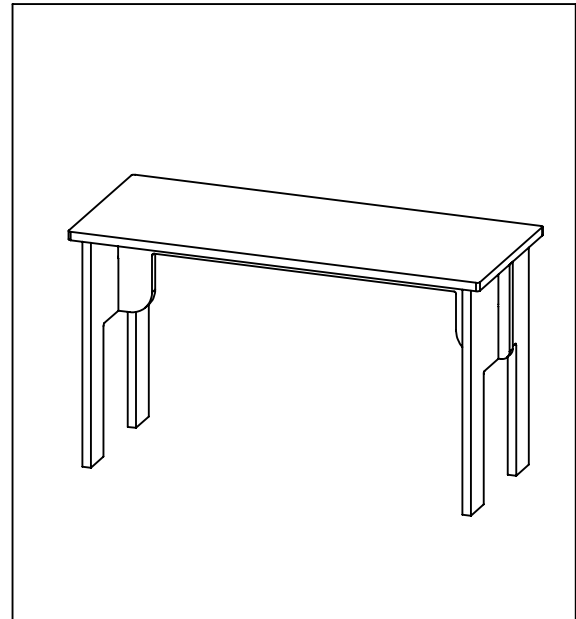
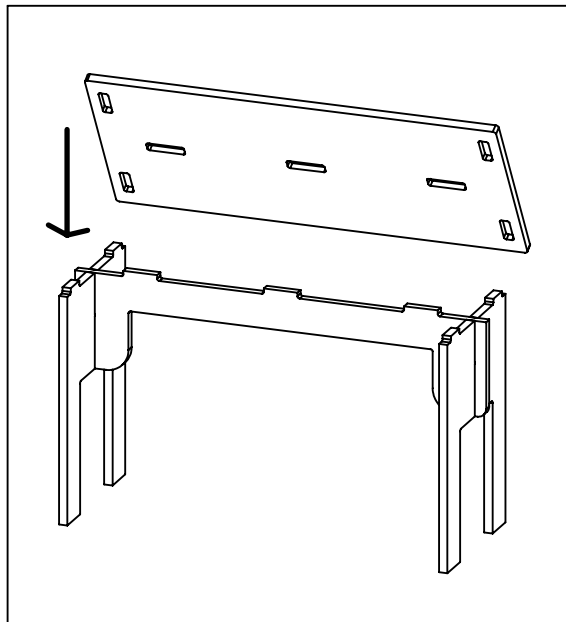


ASSEMBLY INSTRUCTIONS**READ ALL INSTRUCTIONS BEFORE YOU BEGIN. DO NOT JUMP AHEAD OF ANY STEP.**

STEP 4: While holding the Small Leg Panels upright, simultaneously slide the slots on the Small Center Panel into the slots on the Small Leg Panels. Slide the Small Center Panel down until the panels are fully engaged.



STEP 3: Align the bottom slots of the Small Top Panel with the top tabs on the Small Center Panel & Small Leg Panels. Place the Small Top Panel on top of the assembled unit until it fits securely.



ASSEMBLY INSTRUCTIONS

READ ALL INSTRUCTIONS BEFORE YOU BEGIN. DO NOT JUMP AHEAD OF ANY STEP.

ASSEMBLY COMPLETED

